

Sink - MEM

Lavatory spout, deck-mounted with drain - polished chrome

Article number: 13 715 782-00 0010

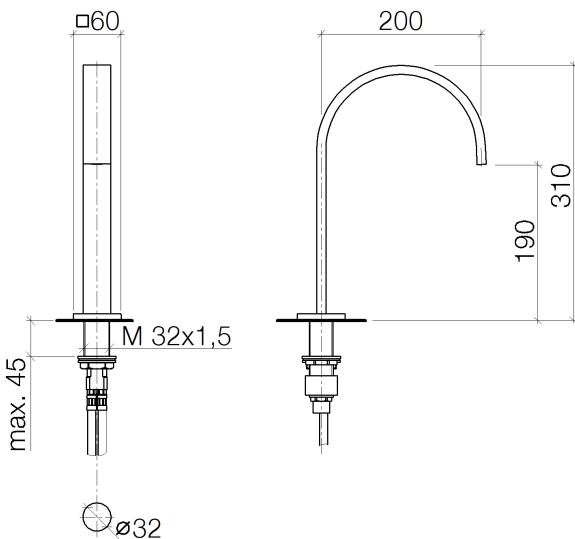


- 7-7/8" Projection
- US drain with overflow
- Rigid spout
- Rectangular aerated stream
- Total height 12-1/4"
- Height to aerator/spout outlet 7-1/2"
- 1-3/8" hole diameter
- Flange 2-3/8" x 2-3/8"
- Water flow rate limited to max. 1.2 gpm
- lead-free
- Suitable only for basins with overflow.



polished chrome

Dimensional drawing





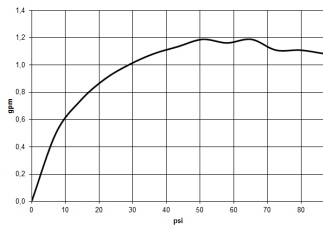
Sink - MEM

Lavatory spout, deck-mounted with drain - polished chrome

Article number: 13 715 782-00 0010

All dimensions in mm / inch = mm x 0,0394

Flow rate chart





Sink - MEM

Lavatory spout, deck-mounted with drain - polished chrome

Article number: 13 715 782-00 0010

Other surface finishes



platinum matte

13 715 782-06 0010



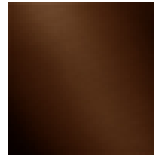
platinum

13 715 782-08 0010



Dark Brass matte

13 715 782-16 0010



Dark Bronze matte

13 715 782-17 0010

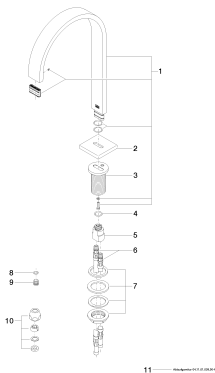


Dark Platinum matte

13 715 782-99 0010

More custom finish options are available via special production (xTra Service). Please see our finish matrix for availability and pricing or contact a Dornbracht representative.

Spare parts list



Number	Item Number	Designation	Number of units
--------	-------------	-------------	-----------------